

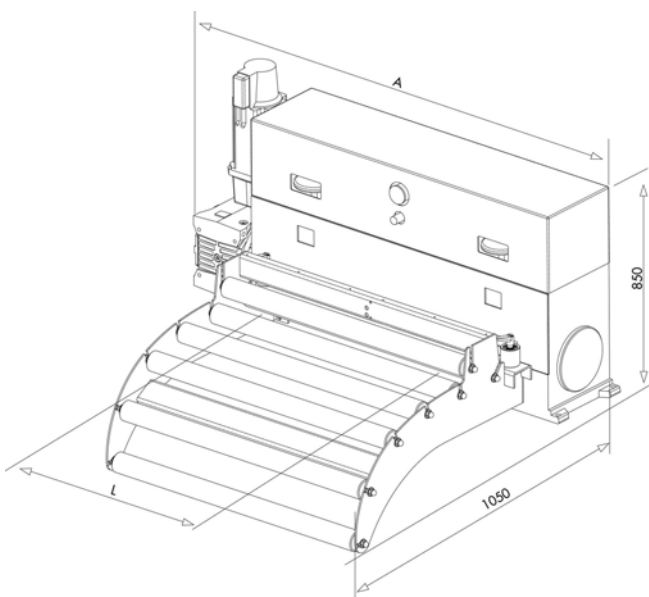


- 2 x 100 mm dia plain web rolls
- The 2 rolls are sandblasted and hard chrome plated (70 Rck)
- Movement transmission to the upper roll through 4 gears
- Electropneumatic release
- Roll opening stroke control through 2 micrometric manual stops linked to each other to ensure proper roll parallelism
- Motorisation through a reduction gear free from play and a brushless servomotor
- Measuring of feed length via a motor resolver
- Strip end sensor
- Inlet guide made up of 2 hardened vertical rollers; manual adjustment, positioning on a setting rule, locking through handle
- Progressive-radius inlet basket made up of steel rolls, and 1 counter roll adjustable according to the thickness

RANGE AND FEATURES

Model	Max. width	Thickness		Max. thickness for max. width	Roll diameter	Max. section	Weight
		Min.	Max.				
	(mm)	(mm)		(mm)	(mm)	(mm ²)	(kg)
1100 B	330	0.2	6	5.7	100	1880	380
1100 D	510	0.2	6	5	100	2550	450
1100 E	650	0.2	6	4.75	100	3085	600
1100 F	820	0.2	6	3.5	100	2870	750
1100 G	1020	0.2	6	2.5	100	2550	950

DIMENSIONS



Model	L	A
1100 B	330	911
1100 D	510	1091
1100 E	650	1231
1100 F	820	1401
1100 G	1020	1603