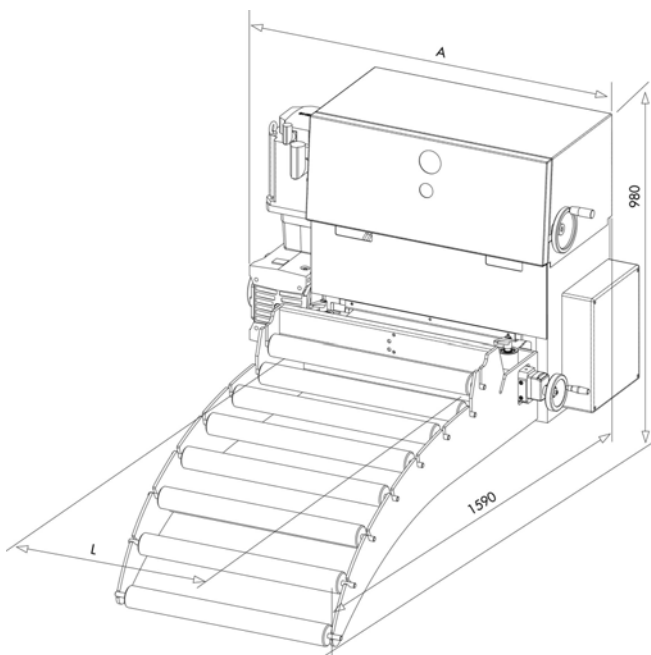


- 2 x 125 mm dia rolls: plain web rolls for widths B and D, cored rolls for the other widths
- The 2 rolls are sandblasted and hard chrome plated (70 Rck)
- Movement transmission to the upper roll through 4 gears
- Electropneumatic release
- Roll opening stroke control through 2 micrometric manual stops
- Roll force adjustment through a pressure regulator
- Motorisation through a reduction gear free from play and a brushless servomotor with brake
- Measuring of feed length via a motor resolver
- Strip end sensor
- Inlet guide made up of 2 hardened vertical rollers, manually and symmetrically adjustable through a hand wheel
- Inlet basket made up of steel rolls, and 1 counter roll adjustable according to the thickness

RANGE AND FEATURES

Model	Max. width	Thickness		Max. thickness for max. width	Roll diameter	Support rollers		Max. section	Weight
		Min.	Max.			Quantity	Ø		
	(mm)	(mm)		(mm)	(mm)		(mm)	(mm ²)	(kg)
1125 B	310	0.2	6.35	6.35	125	/	/	1970	385
1125 D	510	0.2	6.35	5.5	125	/	/	2805	430
1125 E	665	0.2	6.35	4.25	125	/	/	2825	520
1125 F	815	0.2	6.35	3.5	125	/	/	2850	575
1125 G	1020	0.2	6.35	2.5	125	/	/	2550	710
1125 H	1300	0.2	6.35	1.75	125	/	45	2275	920
1125 J	1500	0.2	6.35	1.5	125	1	45	2250	1100

DIMENSIONS



Model	L	A
1125 B	310	865
1125 D	510	1068
1125 E	665	1220
1125 F	815	1375
1125 G	1020	1580
1125 H	1300	1880
1125 J	1500	2080