

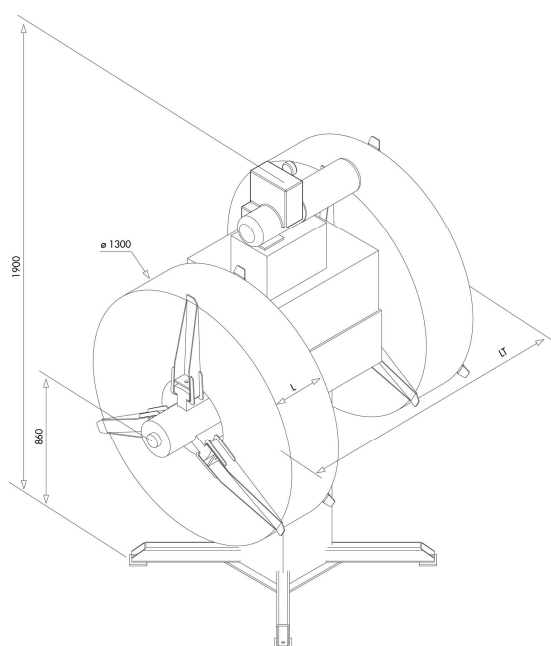


- 3-jaw mandrel made of welded steel
- 2 steel shafts holding the mandrel, mounted on flanged bearings set in the swivelling part of the base
- Cast iron connecting rod expansion
- Steel lateral guides, held in position by screws; indexing handle for easy adjustment according to coil width
- Fixed part of the base made of rolled steel
- Turret mounted on bearing pivot
- Manual rotation of the turret to 180° and indexing through mechanical pedal
- Mandrel selection in the automatic mode via 2 electrical contacts

RANGE AND FEATURES

Model	Max. load (kg)	Max. width without lateral guide (mm)	Max. width with lateral guides (mm)	Expansion diameter (mm)	Max. outer diameter without wedge (mm)	Weight (kg)	Electrical power 400 V - 50 Hz			
							(kVA)			
							FPS (MAN)	FPS (HYD)	FPS - MO	VV
D 2352 B	2 x 1250	445	305	375 to 520	1300	575	0.2	1.8	2.5	2
D 2352 D	2 x 1000	645	505	375 to 520	1300	675	0.2	1.8	2.5	2

DIMENSIONS



Model	L	LT
D 2352 B	305	1720
D 2352 D	505	2120
D 2352/45 B	305	1932
D 2352/45 D	505	2332