

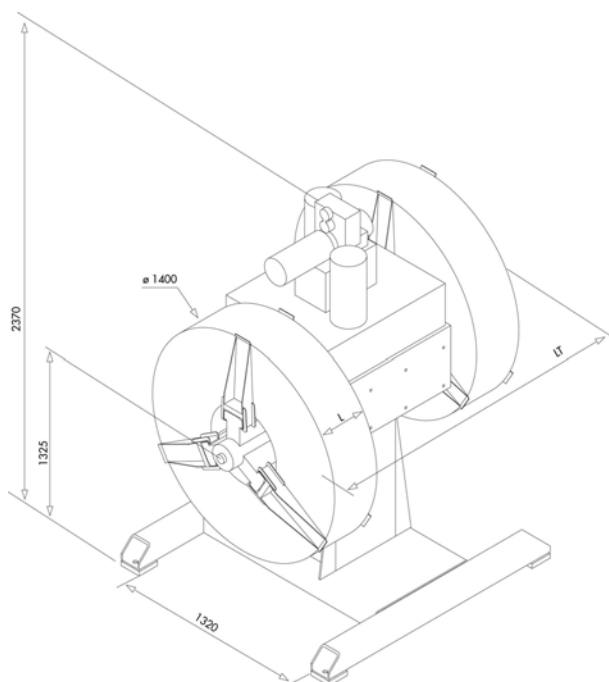


- 3-jaw mandrel made of welded steel
- 2 steel shafts holding the mandrel, mounted on sealed bearings set in the swivelling part of the base
- Cast iron connecting rod expansion
- Steel lateral guides, held in position by screws; indexing handle for easy adjustment according to coil width
- Fixed part of the base made of rolled steel
- Turret mounted on bearing pivot
- Manual rotation of the turret to 180° and indexing through mechanical pedal
- Mandrel selection in the automatic mode via 2 electrical contacts

### RANGE AND FEATURES

Model	Max. load (kg)	Max. width without lateral guide (mm)	Max. width with lateral guides (mm)	Expansion diameter (mm)	Max. outer diameter without wedge (mm)	Weight (kg)	Electrical power 400 V - 50 Hz			
							(kVA)			
							FPS (MAN)	FPS (HYD)	FPS - MO	VV
<b>D 2371 B</b>	2 x 3000	485	325	390 to 525	1400	1100	0.2	1.8	2.5	3
<b>D 2371 D</b>	2 x 3000	695	520	390 to 525	1400	1300	0.2	1.8	2.5	3
<b>D 2371 F</b>	2 x 2500	980	820	390 to 525	1400	1500	0.2	1.8	2.5	3

### DIMENSIONS



Model	L	LT
<b>D 2371 B</b>	325	2280
<b>D 2371 D</b>	520	2700
<b>D 2371 F</b>	820	3500