



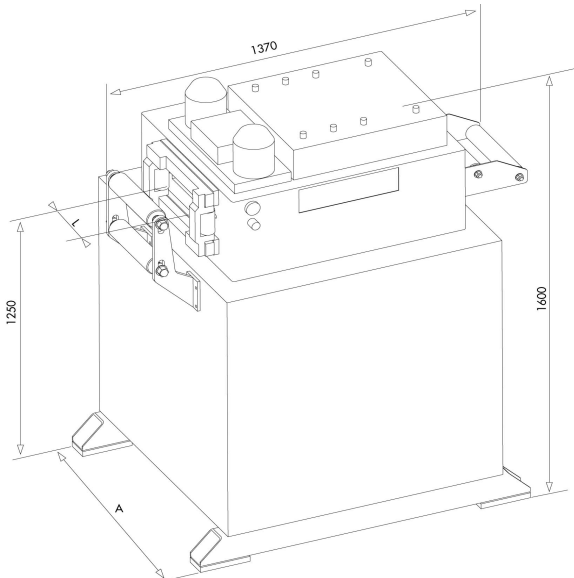
- 7 x 90 mm dia straightening rolls
- Individual penetration adjustment of the 3 upper straightening rolls with reading on a dial
- 1 pair of 90 mm dia inlet feeding rolls + 1 pair of outlet ones
- RPR: upper inlet roll lifting through 2 pneumatic jacks
- All rolls are case-hardened (60 Rck) and ground
- Lower straightening and 4 feeding rolls motorised through a cylindrical gear pair
- AC motor with frequency variator, speed data adjustable by potentiometer
- Loop control with automatic speed regulation by ultrasonic sensor and 2 photo cells for stop mode and strip tension safety
- Inlet strip guide made up of 2 vertical rollers, manually adjustable, and 2 sheet holding rolls
- Outlet basket made up of 2 horizontal sheet holding rolls
- Base made of rolled, welded steel
- Bearings of rolls lifetime lubricated

RANGE AND FEATURES

Model	Width (mm)	Thickness (mm)			Straightening rolls		Feeding rolls		Support rollers (option)	Weight (kg)	Electrical power 400 V - 50 Hz (kVA)
		Min	Max.	Max.*	Nombre	Ø (mm)	Nombre	Ø (mm)	Nombre		
R690 B	300	0.5	8	7.2	7	90	4	90	-	1150	13
R690 D	500	0.5	8	5-(5.6)	7	90	4	90	1	1380	13
R690 F	800	0.5	8	4-(4.4)	7	90	4	90	1	1700	13
R690 G	1000	0.5	8	3-(3.9)	7	90	4	90	3	1900	13
R690 H	1300	0.5	8	2.3-(3.4)	7	90	4	90	3	2100	13
R690 J	1500	0.5	8	1.8-(3.2)	7	90	4	90	3	2300	13
R690 K	1800	0.5	8	1.3-(2.8)	7	90	4	90	3	2600	13
R690 L	2000	0.5	8	1.2-(2.6)	7	90	4	90	3	2800	13

Straightening capacities are given for a yield point $Re = 210$ Mpa and a tensile strength $Rm = 350$ Mpa.
* Max. thickness for max. width

DIMENSIONS



Model	L	A
R690 B	300	810
R690 D	500	1010
R690 F	800	1310
R690 G	1000	1510
R690 H	1300	1810
R690 J	1500	2010
R690 K	1800	2310
R690 L	2000	2510

