

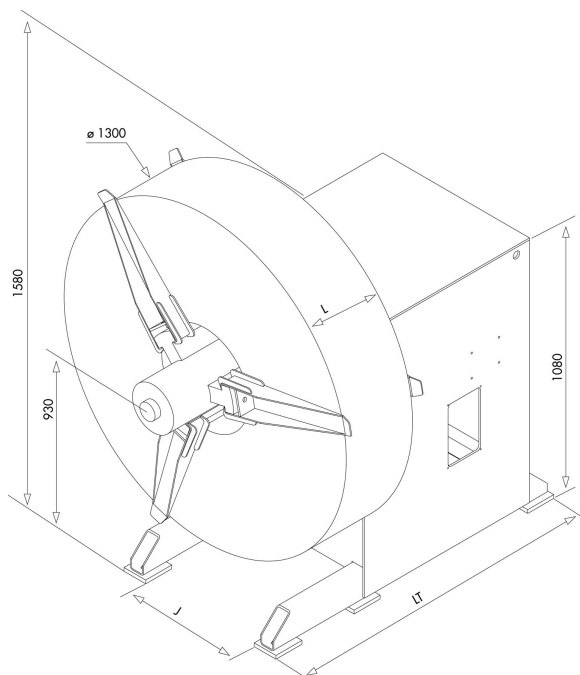


- 3-jaw mandrel made of welded steel
- The mandrel is mounted on flanged ball bearing units
- Cast iron connecting rod expansion
- Steel lateral guides, held in position by screws; indexing handle for easy adjustment according to coil width
- Base made of rolled, welded steel

RANGE AND FEATURES

Model	Max. load (kg)	Max. width without lateral guide (mm)	Max. width with lateral guides (mm)	Expansion diameter (mm)	Max. outer diameter (mm)	Weight (kg)	Electrical power 400 V - 50 Hz			
							(kVA)			
							FPS (MAN)	FPS (HYD)	FPS - MO / 44 BP ETC	VV
S 2350 B	1250	445	305	375 to 520	1300	500	0.2	1.8	2.5	2
S 2350 D	1000	645	505	375 to 520	1300	550	0.2	1.8	2.5	2

DIMENSIONS



Model	L	LT	J
S 2350 B	305	1290	400
S 2350 D	505	1490	400
S 2350/44 B	305	1481	500
S 2350/44 D	505	1681	500