

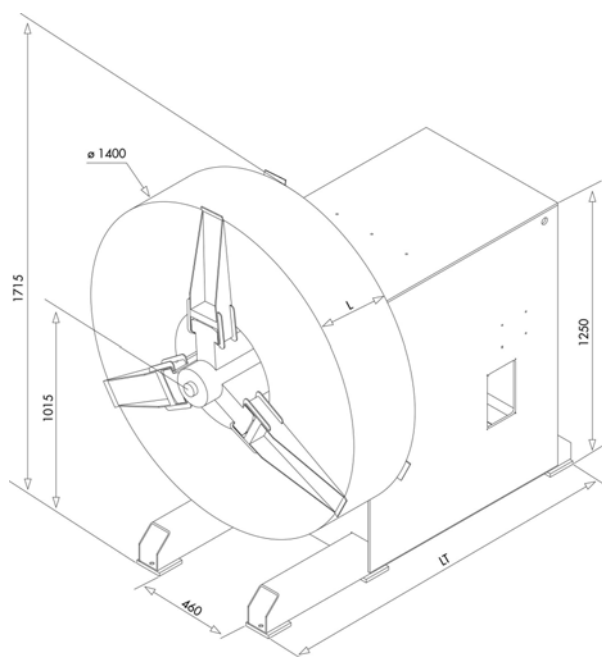


- 3-jaw mandrel made of welded steel
- The mandrel is mounted on sealed ball bearing units
- Cast iron connecting rod expansion
- Steel lateral guides, held in position by screws; indexing handle for easy adjustment according to coil width
- Base made of rolled, welded steel

### RANGE AND FEATURES

Model	Max. load (kg)	Max. width without lateral guide (mm)	Max. width with lateral guides (mm)	Expansion diameter (mm)	Max. outer diameter without wedge (mm)	Weight (kg)	Electrical power 400 V - 50 Hz			
							(kVA)			
							FPS (MAN)	FPS (HYD)	FPS - MO	W
<b>S 2371 B</b>	3000	485	325	390 to 525	1400	750	0.2	1.8	2.5	3
<b>S 2371 D</b>	3000	695	520	390 to 525	1400	850	0.2	1.8	2.5	3
<b>S 2371 F</b>	2500	980	820	390 to 525	1400	950	0.2	1.8	2.5	3

### DIMENSIONS



Model	L	LT
<b>S 2371 B</b>	325	1670
<b>S 2371 D</b>	520	1830
<b>S 2371 F</b>	820	2165