

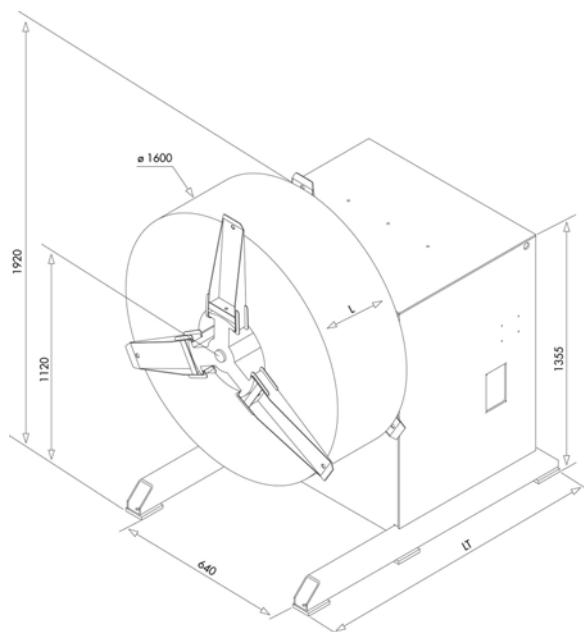


- Cast iron 3-jaw mandrel
- The mandrel is mounted on ball joint bearing units set on rollers
- Connecting rod hydraulic expansion made of cast iron
- Steel lateral rods, held in position by screws; indexing handle for easy adjustment according to coil width
- Base made of rolled, welded steel
- Hydraulic generator and distributor integrated into the base

RANGE AND FEATURES

Model	Max. load (kg)	Max. width without lateral guide (mm)	Max. width with lateral guides (mm)	Max. width with GLI2 (mm)	Expansion diameter (mm)	Max. outer diameter without wedge (mm)	Weight (kg)	Electrical power 400 V - 50 Hz		
								(kVA)		
								FPS (HYD)	FPS - MO	W
S 2381 D	4500	680	520	520	460 to 530	1600	1350	1.8	2.5	4.5
S 2381 F	4500	980	820	820	460 to 530	1600	1500	1.8	2.5	4.5
S 2381 G	4500	1180	1020	1020	460 to 530	1600	1650	1.8	2.5	4.5
S 2381 H	4000	1320	1160	1300	460 to 530	1600	1800	1.8	2.5	4.5

DIMENSIONS



Model	L	LT
S 2381 D	520	1865
S 2381 F	820	2165
S 2381 G	1020	2365
S 2381 H	1160	2485