

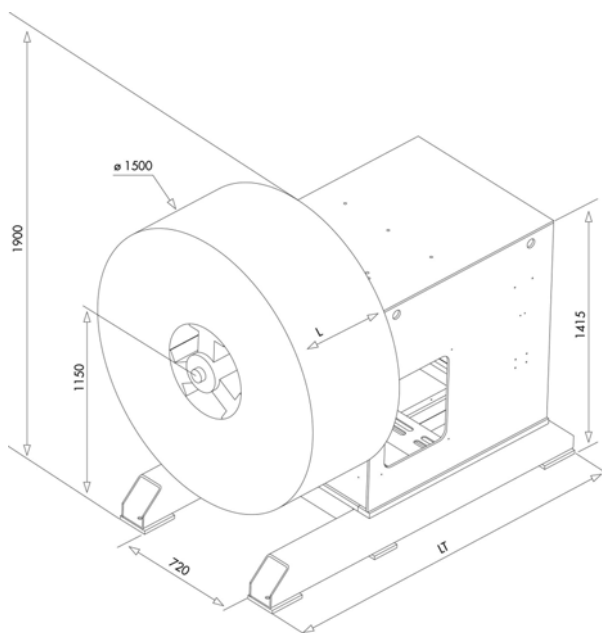


- Cast iron 3-jaw mandrel
- The mandrel is mounted on ball joint bearing units set on rollers
- Connecting rod hydraulic expansion made of cast iron
- Base made of rolled, welded steel
- Hydraulic generator and distributor integrated into the base

RANGE AND FEATURES

Model	Max. load (kg)	Max. width without lateral guide (mm)	Max. width with lateral guides (mm)	Max. width with GLI2 (mm)	Expansion diameter (mm)	Max. outer diameter without wedge (mm)	Weight (kg)	Electrical power 400 V - 50 Hz	
								FPS - MO	VV
S 2384 D	6500	580	420	520	470 to 530	1500	1550	2.5	7.5
S 2384 F	6000	800	640	800	470 to 530	1500	1700	2.5	7.5
S 2384 G	5500	1000	840	1000	470 to 530	1500	1850	2.5	7.5
S 2384 H	5000	1300	1140	1300	470 to 530	1500	2000	2.5	7.5

DIMENSIONS



Model	L	LT
S 2384 D	420	2075
S 2384 F	640	2295
S 2384 G	840	2495
S 2384 H	1140	2795